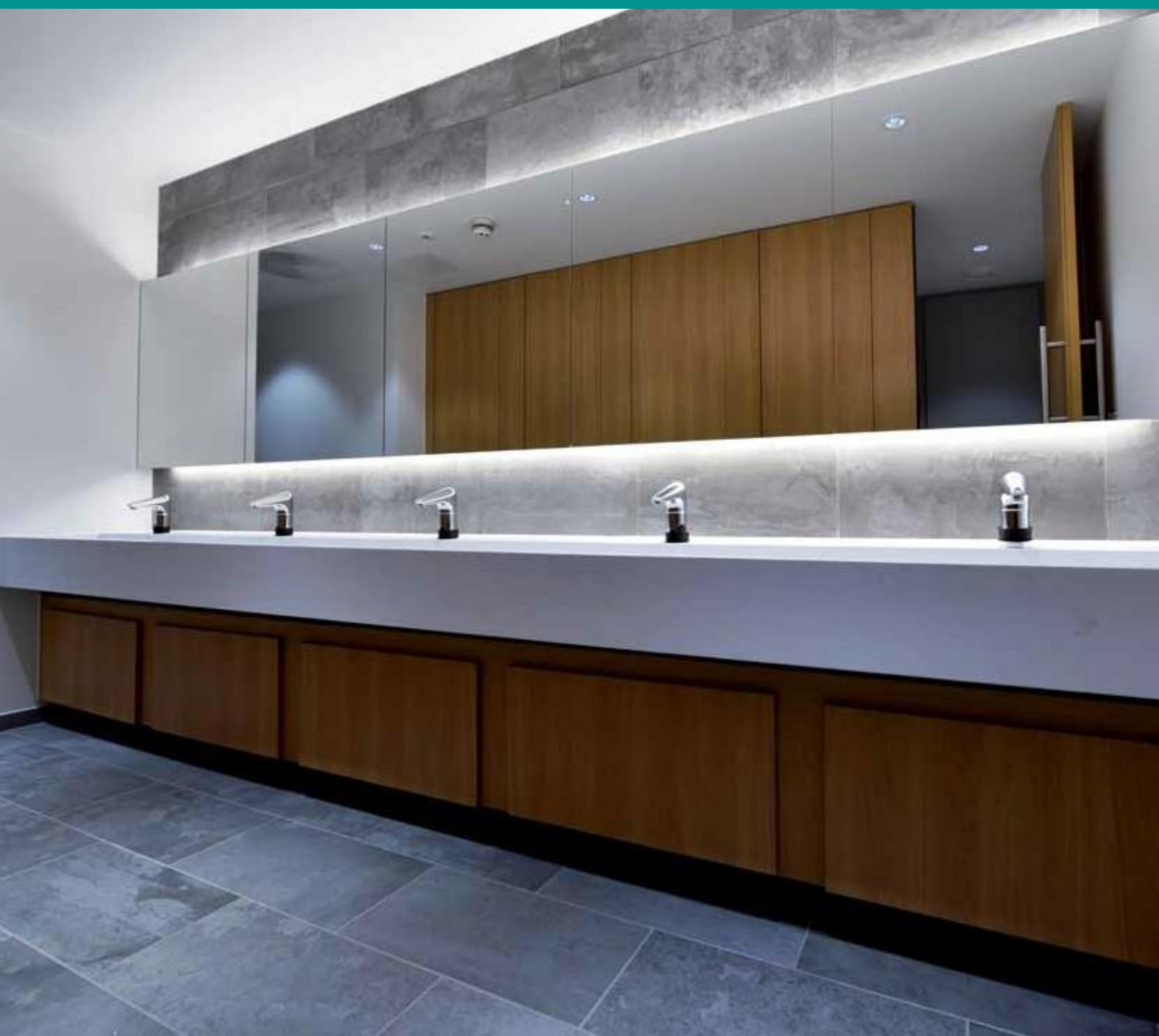


excelsior[®]
washrooms for all environments

Magma Trough Unit Range

WASHROOMS FOR ALL ENVIRONMENTS





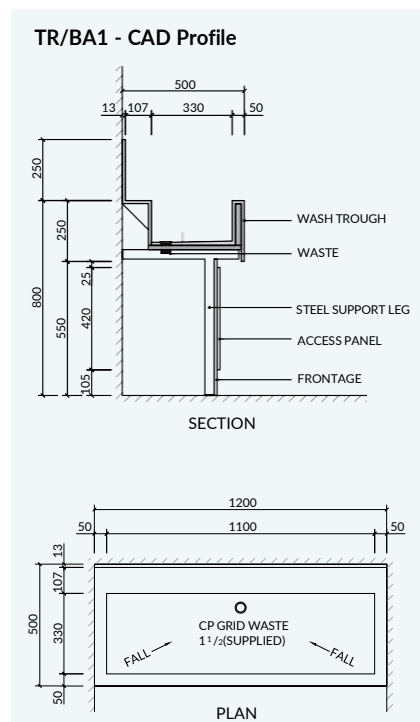
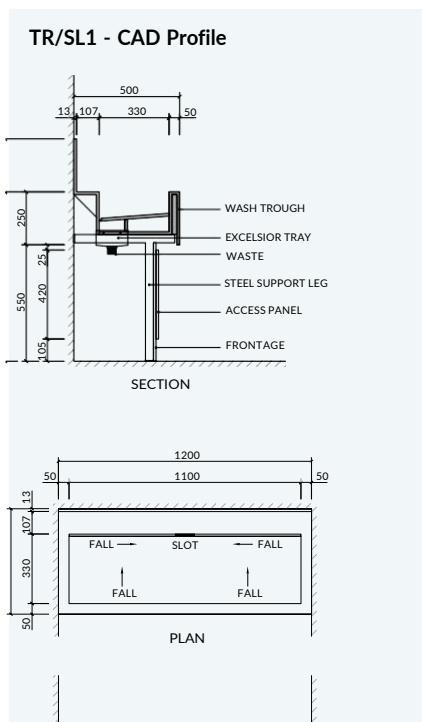
Trough Profile Options

TR/SL1

- 500mm bed depth x 800mm o/a rim height.
- 250mm rear up-stand & 250mm front Apron.
- The worktop has 50mm front and side rim sections with a 107mm rear tap bed.
- Sloping Internal Trough bed with a continuous rear groove channelling water into a central slot with hidden under chamber c/w waste tray detail.

TR/BA1

- 500mm bed depth x 800mm o/a rim height.
- 250mm rear up-stand & 250mm front Apron.
- The worktop has 50mm front and side rim sections with a 107mm rear tap bed.
- Continuous Bath Trough bed with gentle falls channelling water into a visible CP Grid waste.





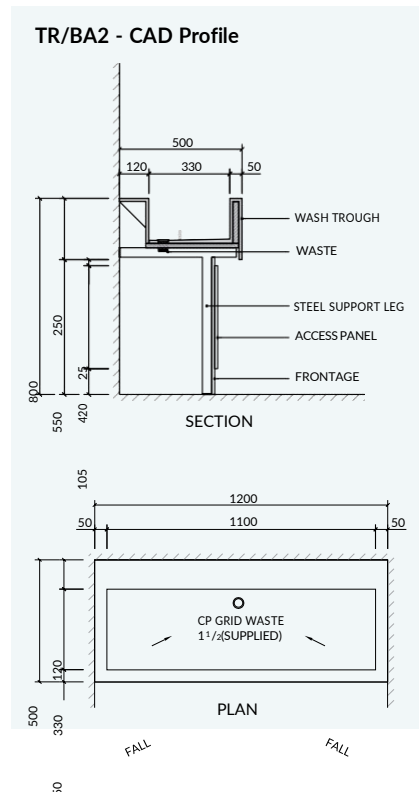
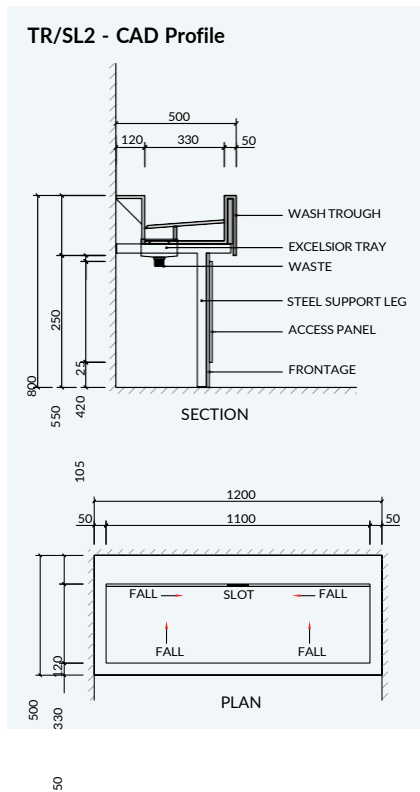
Trough Profile Options

TR/SL2

- 500mm bed depth x 800mm o/a rim height.
- 250mm front Apron (no rear upstand).
- The worktop has 50mm front and side rim sections with a 120mm rear tap bed.
- Sloping Internal Trough bed with a continuous rear groove channelling water into a central slot with hidden under chamber c/w waste tray detail.

TR/BA2

- 500mm bed depth x 800mm o/a rim height.
- 250mm front Apron (no rear upstand).
- The worktop has 50mm front and side rim sections with a 120 mm rear tap bed.
- Continuous Bath Trough bed with gentle falls channelling water into a visible CP Grid waste.



Magma Trough Units Range

We have designed our Magma Trough Unit Range to offer an attractive washroom solution and satisfy specification requirements, always with quality, good looks and durability in mind.

Following a fully framed slab theme we offer three different generic designs with integral rear upstand/ backsplash options:

SL – Continuous Sloping Slab Design

BA – Continuous Deep Tub Design

Fully supported onto WBP Cantilevered Frame Supports with an option to include a laminated access frontage to conceal all M&E works, or access cupboards for bin storage.

Square internal corners and junction abutments are manufactured as standard.

Bespoke designs and profiles can also be manufactured to suit individual client requirements with virtually no limitations.

From creation to installation... you can rest assured

Excelsior have undertaken the manufacture, supply and installation of bespoke washroom products in all washroom environments since 1978. We have a wide selection of safe, attractive and reliable systems to suit all applications, from Nursery Schools right through to Leisure Centres and Hospitals.

Specifications

Trough Surface Material Specification:

- 13mm Solid Surface (Colour to be selected from Excelsior preferred Ranges)
- Square internal corners/ junctions as standard

Access Panel Specifications:

Option A

- High Pressure Laminate bonded onto 18mm MR MDF core
- Panels post lipped with 2mm ABS edge finish or Postformed Vertical edges

Option B

- 12mm compact grade laminate
- Black core radius & polished edge finish

Underframe Frontage:

- High Pressure Laminate bonded onto 10mm CDF Core and balanced to reverse
- Plinth incorporates 1mm ABS edge detail at floor junction to prevent moisture ingress
- All cut outs and remaining edges as cut

Frame Construction/System Support:

- Panels fix onto a laminated frontage framework using hook on or push fit clips
- Worktop Gusset Support frame – WBP Cantilevered Frame Supports as standard or Zinc Plated and Powder coat finished 38 x 38mm Steel Box section Cantilevered Frame Supports
- Hinged access panels c/w keyed budget lock available at additional cost

Colour Selections:

Excelsior Preferred Cubicle & Washroom Colour Selection.

Natural Veneers available upon request at additional cost.

excelsior®

washrooms for all environments

Excelsior Panelling Systems Ltd

Unit 2, Woodside Industrial Estate, Pedmore Road, Dudley, West Midlands, DY2 0RL

Tel: +44 (0)1384 267770 Fax: +44 (0)1384 482127

E-mail: enquiries@excelsiorps.co.uk Web: www.excelsior-cubicles.co.uk

